

The CAW Newsletter

The CAW Newsletter is the official publication of the Capital Area Woodturners Chapter of the AAW, and is published for the information of its members. Membership in the CAW Chapter is open to anyone interested in the art and craft of woodturning.

Meeting Announcement:

Date: Saturday, Jan 12, 2002
Time: 9:30 AM — 12:30 AM
Place: Bryant Education Center
 2709 Popkins Lane
 Alexandria, Virginia

DIRECTIONS TO THE MEETING: From Virginia or Maryland, take I-495/I-95 towards the Wilson Bridge over the Potomac River. Take Exit 177A (Rt 1 South) on the Virginia side. Approximately 1.9 miles south of the Beltway, you will pass the Beacon Mall complex with Lowes Home Improvement Warehouse on your right. From the main entrance into Beacon Mall, go 4 more stop lights – about ½ mile. The 4th stop light will be Popkins Lane. Turn Left onto Popkins lane and go down 2 blocks. The Bryant Learning Center entry will be on your right. Drive to the East side of the building. Plenty of parking on the side or in the rear of the building. The entrances to the woodworking shop and meeting rooms are off the East side of the Bryant Center.

Program For The Month

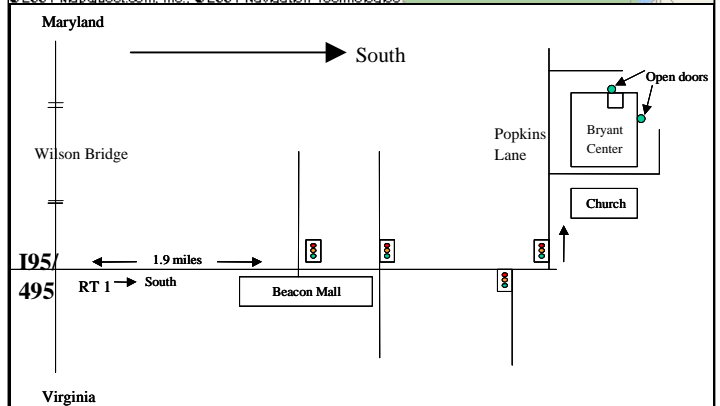
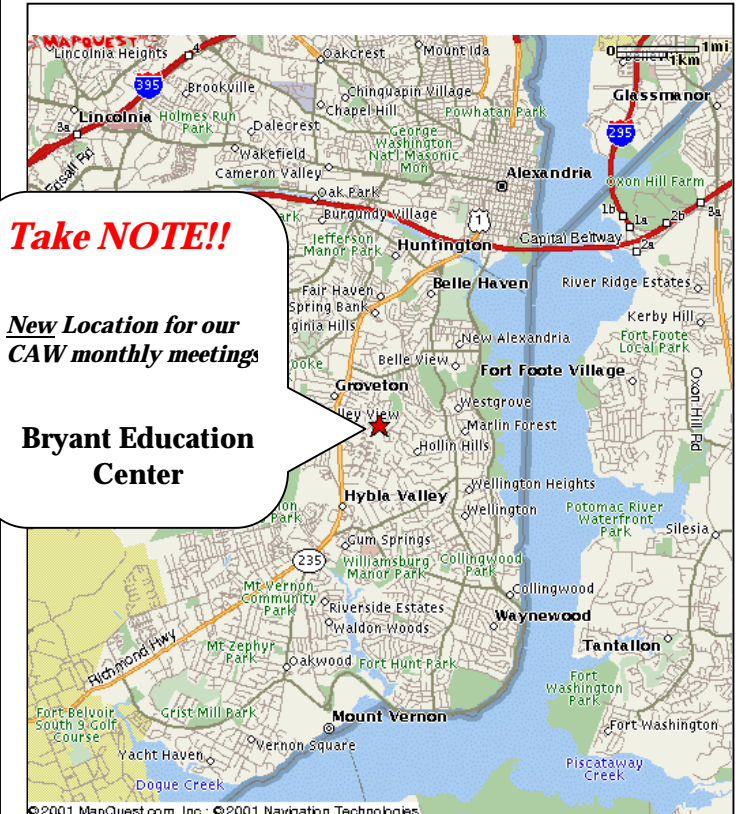
8:30 AM Help set up for the demonstration. Look over the For Sale items in the equipment room. Have a cup of coffee and a donut with your fellow turners. Enjoy the normal hour of skill enhancement and practice time on the lathes. Or talk over problems and techniques with someone who might already have been there and done that.

Come familiarize yourself with our new home !!

We still need someone to take responsibility for setting up the coffee service for the meeting. Please consider volunteering to help your club !!

9:30 AM A business meeting. Photos of member items will be taken for the February Newsletter. The tape library will be open. A silent auction table will be available for donated wood and items. A Show & Tell of pieces brought in will be conducted.

10:30 AM A wood turning demonstration with the specific demonstrator yet to be determined. Use the club and Bryant Center lathes to continue skill enhancement exercise or to demonstrate techniques that you want to pass on or problems that you want some help in solving.



Please support those companies that support the CAW

the Woodworking Shop

Coleman M. Fourshee Sr.
 General Manager
 856 21st Street Dr. S.E.
 P. O. Box 5069
 Hickory, NC 28603-5069
 Phone: 828-327-7263, Ext. 218
 FAX: 828-327-4634
 Cfoursee@woodworkingshop.com
 www.woodworkingshop.com

WoodCraft Supply
 The Concord Shopping Center
 6123 Backlick Rd.
 Springfield, VA 22150

Recipes for All

Pot luck parties are the best eating you can find anywhere. People put out their best and favorite recipes so that they can get asked; "How did you make that?" just the same way we are always pleased to get that question about an item we have turned on the lathe.

That was certainly true for our CAW Holiday party on December 9th. There were as many recipe swapping conversations as there were turning technique talks going around that night.

In particular, enough people asked for the recipe for three delicious items on the appetizer table, that I committed to putting the recipes in the newsletter so everyone could get a copy. So here they are:

Ed and Carolyn Moore's Shrimp Spread

1 lb shrimp (peel and de-vein before cooking)

In a sauce pan, put in:

1 pt H2O

1/2 to 1 teaspoon salt

1 clove garlic

Bring to full boil, add shrimp. When it boils back up, drain, and discard the garlic

Chop shrimp finely and add:

1/2 lb cream cheese

2 tablespoons mayonnaise

4 tablespoons chili sauce

1 teaspoon Lea & Perrins

Mix all together, adjust seasonings to taste. Serve with crackers or party pumpernickel bread.

Elaine Marstall's Mexican Sausage 'n Cheese Dip

1 pound of pork sausage

1 can of chili without beans

1 8-oz pkg. of Velveeta cheese

Brown (cook) pork sausage in frying pan. Gently melt cheese with chili. Add sausage. Stir all together. Serve warm with tortilla chips.

The amount of spiciness is determined by the type of sausage (reg. or spicy), type of cheese (reg. or spicy), and type of chile (reg. or spicy).

Denise McInerney's Taco Bites

1 can (16 oz.) fat free refried beans.

1/2 package (2 tbsp. + 2 tsp.) taco seasoning mix.

1/4 teaspoon liquid pepper sauce.

1 cup diced light pasteurized process cheese (Velvetta).

1 cup salsa (optional)

Optional Garnishes:

Jalapeno pepper slices

Cherry tomato halves

1. In a 3-quart saucepan, combine beans, taco seasoning and pepper sauce. Cook over low heat, stirring constantly, until mixture starts to bubble. Add cheese. Continue cooking and stirring until cheese melts and mixture is smooth. Remove from heat.

2. Stir Kellogg's Rice Krispies cereal into hot bean mixture until thoroughly combined. Spread mixture evenly in 8x8x2-inch pan coated with a cooking spray. Cool completely. Cut into 1-inch squares. Serve with salsa and garnish with jalapeno pepper slices and/or cherry tomato halves, if desired. Refrigerate.

Prep Time: 15 minutes: LOW FAT

CAW 2001 Officer Roster

<u>Name</u> <u>Position</u>	<u>Contact Information</u>
<u>Bob Pezold</u> <u>President</u>	8018 Hammond St. Alexandria, VA 22309 703-418-8626 rpezold@erols.com
<u>Tom Boley</u> <u>Vice-President</u>	8316 Botsford Ct. Springfield, VA 22152 703-569-2548 tboley@erols.com
<u>Mike McInerney</u> <u>Treasurer</u>	14526 Creek Branch Court Centerville, VA 22020 703-378-8117 mikemc1421@aol.com
<u>Don Johnson</u> <u>Secretary</u>	2207 Windsor Road Alexandria, VA 22307-1019 703-329-1326 drjpapaw@aol.com
<u>Tim & Sheryl Kochman</u> <u>Program Directors</u>	10411 Todman Landing Court Burke, VA 22015 703-250-4891
<u>C. A. Savoy</u> <u>Show Director</u>	1309 Gatewood Drive Alexandria, VA 22307 703-765-7268 cadjsavoy@msn.com
<u>Jim Marstall</u> <u>Newsletter Editor</u>	6213 Capella Ave. Burke, VA 220215 703-644-6797 james.marstall@west.boeing.com
<u>Club Support Volunteers</u>	Gerry Headley - Video Library Cal Frantz - Group Buy Bob Grudberg - Auctions Mary Youmann - CAW Clothes

Membership Renewals Are Now Due!!

Renew your CAW membership for the year 2002.

\$20 for individual membership

\$15 per person for multiple persons in a family

Bring your year 2002 dues to the Bryant Center for the next meeting or mail them to:

CAW Treasurer

Mike McInerney

14526 Creek Branch Ct

Centreville, VA 20120

Make checks payable to: Capital Area Woodturners

Donations of turned items requested

For the past 5 years or so, the CAW Newsletter has been published free of charge by my company Booz-Allen & Hamilton Inc. BA&H, started in Chicago in 1914, is currently headquartered out of Tysons Corners and is one of the oldest management consulting companies in America. The company supports the publication of the newsletter through its Community Support Program.

However, even though BA&H donates the paper to print the newsletter and the equipment in the print shop, it is a man by the name of Bill Swann who does all the work each month. I deliver to Bill a folder with eight sheet of paper and he sets up the machine to print a double-sided, collated final newsletter. He physically staples and folds 125 copies each month and packages them for me so that all I have to do is slap on a stamp and a mailing label, and get them into the Post Office for delivery. Bill doesn't get anything extra from the company for this, so every year, usually during Christmas, I make sure he gets from the CAW a couple of bottles of a libation that he enjoys, as our way of saying thank you.

This year however, I would like to also give him some samples of the woodturnings that he has supported for so long. C.A. Savoy donated an ornament that I gave to Bill before the Holiday Season, but I would also like to give him some samples of bowls, boxes, hollow forms, and other small turnings that demonstrate our craft and that are pictured in the newsletter that he processes every month. He was absolutely taken with C.A.'s ornament.

If you have any small item that you would like to donate to Bill to demonstrate our sincere appreciation, please bring it with you to the January meeting. I will pick them up and put them into a gift box that I will provide to Bill Swann later in January. I know Bill will be thrilled to receive whatever we choose to give him.

Jim Marstall

Update on the Video Library

By Gerry Headley

Two years ago, when I became video librarian, I've endeavored to bring new tapes to the video library. My goal was to have a tape library of at least 100 tapes. I'm proud to say we should be there by the January meeting. The video library has six new videos on order to add to our collection of library tapes. The new tapes are:

<u>CAW#</u>	<u>Title</u>	<u>Author</u>
95	Inlaid and Novelty Boxes	Chris Stott
96	Basic Off Center Turning	Chris Stott
97	The Skew Chisel	Allen Batty
98	Hand Thread Chasing	Allen Batty
99	Coloring, Chatterwork, Box Turning, Video V	Bonnie Klein
100	Wet Turning with a Difference	Stuart Mortimer

You can find descriptions of these tapes if you have a current copy of the Woodturners Catalog. I should have reviews of these tapes for the newsletter in the next few months. With luck, I'll be able to tell you my take on their intrinsic value and if they are what you are looking for. I also purchased a second copy of Keith Rowley's: *Woodturning, a Foundation Course*. This popular video combines lathe operations, chalkboard, and graphics to describe the basics in wood turning. This tape, along with professional instruction and mentoring, will serve beginning turners well as they learn to turn. We will also have the companion book to go out with each rental.

As always, if you rented videos in November or earlier, please remember to bring them in at the beginning of the January CAW meeting. If you aren't able to bring them in, please mail them ahead of time to the address below:

Gerry Headley
1104-1 Columbus Circle
Andrews AFB, MD 20762

Thanks again and have a happy holiday season.

We Want You to Demonstrate Woodturning !!!

Wood Turning in North America Since 1930 will open at the Smithsonian Renwick Gallery in Washington DC on March 15, 2002 and continue to July 21st. To help the public understand what wood turning is all about, we have the opportunity to demonstrate for 3 hours (from noon to 3 p.m.) on Sundays and Wednesdays while the exhibit is up. Thirty-two dates are divided between Capital Area Woodturners and Chesapeake Woodturners in proportion to size of their membership with the CAW dates shown below. Sign up begins at the January 12th meeting and continues until all demonstration dates are booked. Since these dates are rather far away, we ask that you team up with another turner, an alternate, who could demonstrate in your place if on that date you unexpectedly were not available.

CAW demonstration dates are **March 17 and 20; April 3, 7, 10, 17, 21, and 24; May 5, 8, 15, 19, 22 and 29; June 9, 12, 16, 19, 26 and 30; and July 3 and 17, 2002.** (The AAW symposium in Providence, RI is June 28-30.)

These are conditions and operating information you should know about:

1. You must be an AAW member so that you benefit from the third party insurance protection provided by AAW. (The lathe will have a plexiglass shield to protect the public.)
2. You must bring your own cutting tools and holding devices for a Jet mini lathe (1"x8 spindle, #2 Morse taper, and 5" radius swing), wood, safety equipment, other related tools, and a few examples of your work as desired. A table for tools, etc will be provided. You may NOT sell your work at the Renwick demonstration.
3. An 8" grinder with Wolverine sharpening system will remain there with the lathe.
4. Talk to the public about what you are demonstrating and about the turning you do. We hope to have CAW, CW, AAW, and WTC literature available as handouts.
5. Please plan your demonstration to minimize hazards and dust:
Don't turn an exotic or other wood that might induce an allergic reaction to a viewer.
Cut, don't scrape. Leave the sand paper at home. (They don't want to dust the exhibit objects in that room after each demo.)
Use green or less than fully dried wood.
Use sound wood without bark attached and without beetle larva infestation or damage. Avoid flying wood objects from an inadequately secured or cracked piece, too thin of an attachment, or high speed. Think about safety.
Wear safety glasses or face shield. You are demonstrating safe turning too!
6. The potential for inadvertent injury to a curious public is being minimized by placing locks on the equipment plugs. These locks will be installed whenever active demonstrations are not taking place. Check out a lock key from security when you enter the Gallery, and return the key to security when you leave.
7. Please use equipment provided to clean up before you leave.
8. Plan to arrive 20 to 30 minutes early to set up and be ready to begin demonstrating at noon. If you are not acquainted with the Renwick Gallery or had not seen the exhibit by then, come an hour early or stay to look after your demo.
9. You may want to bring a hand truck to move your container(s) of wood and tools from the street, subway, or parking garage on Pennsylvania Avenue to the Renwick Gallery basement entrance on 17th Street - down the ramp to the metal door and check in with the guard. If there is space on the street next to the Gallery on 17th Street, get a parking permit from the guard's desk at the basement entrance (place it in your windshield immediately). There is an elevator near the guard's office to the second floor. Leave by the elevator and same door, and leave the plug lock key with the guard.
10. Apply to the CAW Treasurer for reimbursement of your expenses (parking, mileage, wood, etc.) not to exceed \$50. Funds are provided by the Pearl Rappaport Kaplan Fund through the Renwick Gallery.

NOVA WOODWORKING SHOW

The nationally popular Woodworking Show will be in our area, at the Capital Expo Center in Chantilly Va. on March 22 thru 24, 2002. Show hours normally are:

Friday 12:00PM – 7:00PM
 Saturday 10:00AM – 6:00PM
 Sunday 10:00AM – 5:00PM

The CAW club has again been invited to participate in the show. We will be allocated enough space to conduct lathe turning demonstrations and to display some of our finished work. CA SAVOY, email cadjsavoy@msn.com, 703-765-7268 (call after 9am and before 9pm). will coordinate all show activities for the CAW. Annually, this is a favorite activity for members.

This is a great opportunity for us to promote, and provide information about our club, display our work, demonstrate the beauty and diversity of wood-turning pieces, and generate interest in our chosen craft.

We plan to have three mini lathes set up to be used by CAW members for the entire show. We encourage all of you who feel comfortable turning in front of an audience to sign up for a session and plan on using the lathes to turn (to your little hearts content). What ever you want to demonstrate or try for the first time. All others are encouraged to sign up to staff the booth, answer questions, show off our displayed turnings, and promote our club and wood turning.

A volunteer work schedule will be provided at the Jan, Feb. and Mar. meetings. We plan to have enough participation to schedule three people turning and two people manning the booth on two or three hour shifts each day. Volunteers get free admission to the show.

REMEMBER IF YOU PLAN TO TURN YOU MUST BE A MEMBER OF THE AAW.

CA SAVOY

SKILL ENHANCEMENT WORKSHOP

Starting in Jan. we will have two Skill Enhancement Workshops in the woodshop at Bryant High School.

- The normal schedule will be the second Wednesday and Last Tuesday of each month from 9AM till 3PM.
- Jan. workshop will be the 9th and 29th, 2002.

Check the newsletter each month for the dates. All shop lathe have 1x8 spindles .Bring your tools,chucks,face plates,wood, glue, etc. whatever you think you may need. If you need 1x8 adaptors for Oneway chucks, let CA know so he can order.(\$20.25.

Any special request should be directed to CA Savoy ,email cadjsavoy@msn.com or phone (after 9am and before 9pm) 703-765-7268.

Turning a Spoon or a Ladle

Material List

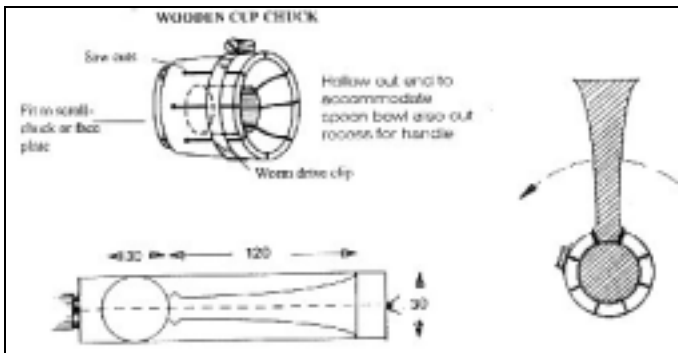
A series of ladles or spoons from 64mm diameter down to 20 mm may be produced from almost any type of wood... Branches of appropriate size are easily found. Fruit tree wood is probably the best and may be turned whilst green as the article being produced is quite thin and it will not as a rule crack or split. Finish the spoon with two coats of sealer.

Diameter of spoons: 60, 50, 40, 30, or 20mm. Length should be about 3 or 4 times diameter.



Method - To make a tea Caddy Spoon:

Turn a cylinder 30 mm in dia. 150 mm long between centers. Mark off a length equal to the bowl diameter. Mark a point half way along the measurement, then mark the total length required. See the drawing.



Shape bowl and handle as suggested. When completed, saw the resultant piece in half length-wise or alternatively start off with two pieces of wood joined with a "paper joint".

The next step is to prepare a wooden chuck to enable the spoon to be held whilst the bowl is hollowed out. From a suitably sized long grained piece of wood turn a cylinder of about 40 mm dia. and hollow out the end to suit the outside of the spoon's bowl. Continue hollowing at a lesser diameter for another 30 or 40 mm. Make 4 saw cuts to form the fingers of the cup chuck and fit a worm drive clip as shown to enable the chuck to be tightened. A recess needs to be cut in the face of the chuck to accommodate the handle which will be standing upright during the hollowing process. After fitting the spoon to the chuck careful and light cutting should be employed to form the inner bowl of the spoon. A wall thickness of 2mm is desirable.

See photos below:



The handle may be shaped by using a disc or belt sander.

Article by George Awburn of the Peninsula Woodturners Guild of Brisbane, Australia

Please visit their website at:
<http://home.vicnet.net.au/~pwguild/>



Left: You don't have to ring the dinner bell twice for this group. Lining up for the delicious spread of pot-luck dishes. Right: Good food, good company, good discussions = a good time! Thanks everyone for sharing the Holiday spirit with one and all



Left: The winning ornament in the annual competition submitted by Andy Blackwell. The center off-center turned piece is actually a lidded box with miniature ornament inside. Quite impressive.. Right: Alan Becker's 2nd place ornament, cut out and painted a holiday green then frosted with snow.. A beautiful addition to anyone's tree.



Award Winners from the Washington Wood Show 2001: Left - John Noffsinger - Best of Show - for his turquoise inlaid natural edge hollow form.. Center: Phil Brown - Best Craftsmanship - a large Cherry vortex. Right Don Johnson - Best Artistic - for his square-sided bowl with chip carving highlights on the point of each corner.

Jim Marstall, Newsletter Editor
Capital Area Woodturners (CAW)
6213 Capella Ave.
Burke, VA 22015

CAW Newsletter — January 2002

New CAW Members for November 2001

Welcome all! We are glad you have chosen to add your talents to our club. We look forward to the contributions you will make and the pieces you will bring in to Show-&-Tell. Your participation will add to our mutual love of woodturning and to our collective knowledge and skill.

<u>First Name</u>	<u>Last Name</u>	<u>City</u>	<u>ST</u>
John	Trant	Jessup	MD
Edward	Alexander	Falls Church	VA
Michael	Busse	Hamilton	VA
Ross	Horton	Nokesville	VA
Seth	Hurlbert	Linden	VA
Dave	Leader	Fairfax	VA
Bob	Maxwell	Washington	DC
Joe	Neiswander	Woodbridge	VA
Patrick	O'Brien	Alexandria	VA
Mike	Scholand	Falls Church	VA



